



# NUP 317 ECJ

- Popular item  
- SKF Explorer

## Cylindrical roller bearings, single row

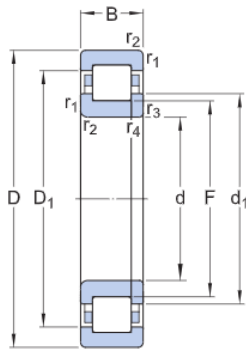
### Bearing data

[Tolerances](#),  
Normal (metric), P6, Normal (inch),  
[Radial internal clearance](#),  
cylindrical bore, tapered bore,  
[Axial internal clearance](#),  
NUP, NJ + HJ

### Bearing interfaces

[Seat tolerances for standard conditions](#),  
[Tolerances and resultant fit](#)

## Technical specification

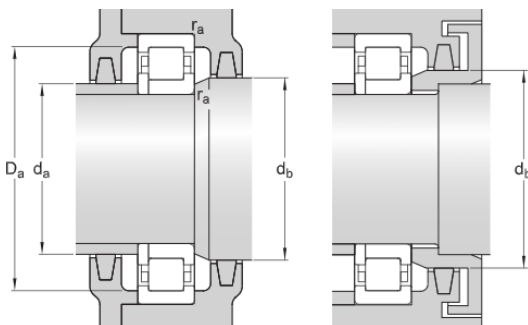


### DIMENSIONS

d	85 mm	Bore diameter
D	180 mm	Outside diameter
B	41 mm	Width
d1	≈117 mm	Shoulder diameter of inner ring
D1	≈151.4 mm	Shoulder diameter of outer ring
F	108 mm	Chamfer dimension of loose flange ring
r1,2	min.3 mm	Chamfer dimension
r3,4	min.3 mm	Chamfer dimension of loose flange ring

### ABUTMENT DIMENSIONS

da	min.99 mm	Diameter of spacer sleeve
db	min.120 mm	Diameter of shaft abutment
Da	max.165.5 mm	Diameter of housing abutment
ra	max.2.5 mm	Radius of fillet



## CALCULATION DATA

Basic dynamic load rating	C	340 kN
Basic static load rating	C <sub>0</sub>	335 kN
Fatigue load limit	P <sub>u</sub>	41.5 kN
Reference speed		4 000 r/min
Limiting speed		4 800 r/min
Minimum load factor	k <sub>r</sub>	0.15
Limiting value	e	0.2
Axial load factor	Y	0.6

## MASS

Mass	4.95 kg
------	---------

## More information

<p>Product details</p> <ul style="list-style-type: none"> <li><a href="#">Designs and variants</a></li> <li><a href="#">Bearing data</a></li> <li><a href="#">Loads</a></li> <li><a href="#">Temperature limits</a></li> <li><a href="#">Permissible speed</a></li> <li><a href="#">Design considerations</a></li> <li><a href="#">Designation system</a></li> </ul>	<p>Engineering information</p> <ul style="list-style-type: none"> <li><a href="#">Principles of rolling bearing selection</a></li> <li><a href="#">General bearing knowledge</a></li> <li><a href="#">Bearing selection process</a></li> <li><a href="#">Bearing failure and how to prevent it</a></li> </ul>	<p>Tools</p> <ul style="list-style-type: none"> <li><a href="#">SimPro Quick</a></li> <li><a href="#">Bearing Select</a></li> <li><a href="#">Engineering Calculator</a></li> <li><a href="#">LubeSelect for SKF greases</a></li> <li><a href="#">Heater selection tool</a></li> <li><a href="#">Oil Injection Method Program</a></li> <li><a href="#">Rolling bearings mounting and dismounting instructions</a></li> </ul>
--	---	--